

ACCELEVATION CONTAINMENT BOOTH

OPERATION & MAINTENANCE GUIDE

Operation

Tools Required:

- 9/16" Spanner Wrench

Caster Adjustment:

1. To extend or retract the adjustable caster assembly, use a 9/16" Spanner wrench to loosen the 3/8" jam nut.
2. Rotate the caster's star knob clockwise to lower the caster or counter-clockwise to raise the caster.
3. Once the caster has been adjusted to the desired position, tighten the 3/8" jam nut with 9/16" spanner wrench against the caster plate.

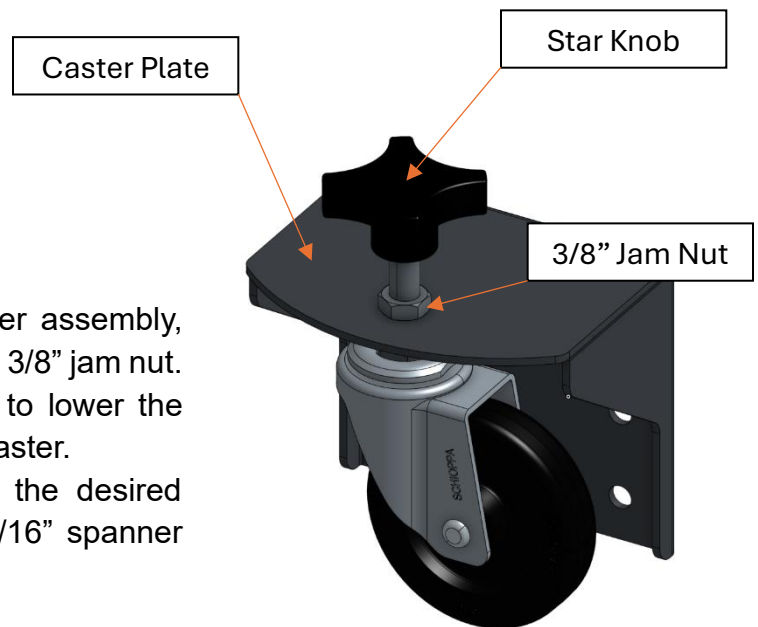


Figure 1 Adjustable Caster Assembly

Maintenance

Supplies Required:

- Microfiber Cloth
- Mild Detergent
- Isopropyl Alcohol (Optional)

Cleaning:

1. The panel inserts may be cleaned using a soft, microfiber cloth with mild detergent, and warm water. **Chemicals are not advised.**
2. The aluminum frame, handles, and caster assembly may be cleaned with a soft, microfiber cloth, mild detergent, and warm water. Alternatively, isopropyl alcohol may be used.



Figure 2 Containment Booth