

CORE REMOTE POWER PANEL



Whether wall-mounted or free-standing, our RPP's flexible design provides an efficient and scalable solution for any data hall.



STANDARD FEATURES

Our Core Remote Power Panel (RPP) is a modular, high-capacity electrical distribution solution engineered for the unique demands of modern data center environments. With a current rating ranging from 225A to 800A, it offers unparalleled flexibility to adapt to your power requirements.

The Base RPP cabinet, measuring a compact 24" wide and 12" deep, delivers up to 600A, while an optional 12" wide Boost sidecar expands capacity to 800A. This versatile RPP ensures reliable, consistent power for critical equipment. For larger configurations, the Dual Base RPP setup allows for two cabinets back-to-back, supporting up to 168 standard circuits.

- **Fast Lead Times:** Industry's fastest delivery to keep your projects on schedule.
- **Easy Installation:** Licensed Accele vation Electricians cover all major data center markets nationwide.
- **Cost Effective:** Configure the number of panels, metering option, and seismic floor stands for cost efficiency.
- **Seamless Integration:** Add custom Accele vation Branch Circuit Whips and feeder cables for a streamlined setup.



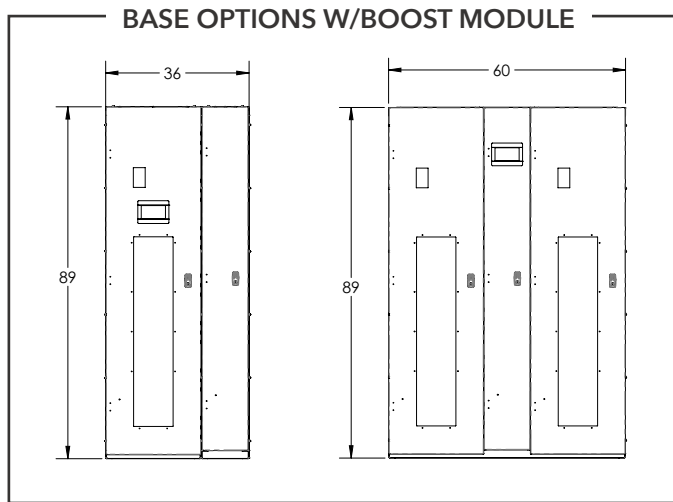
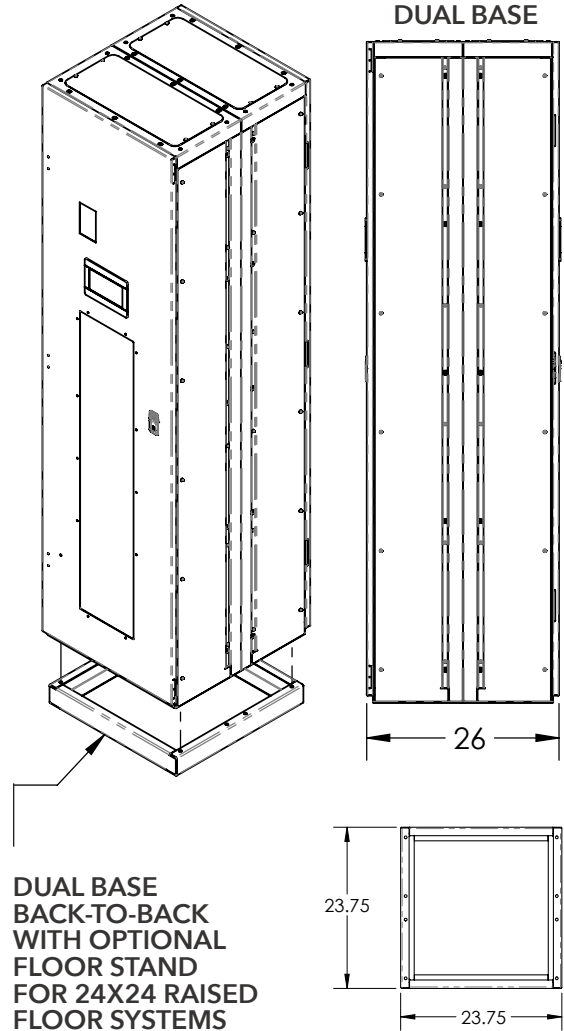
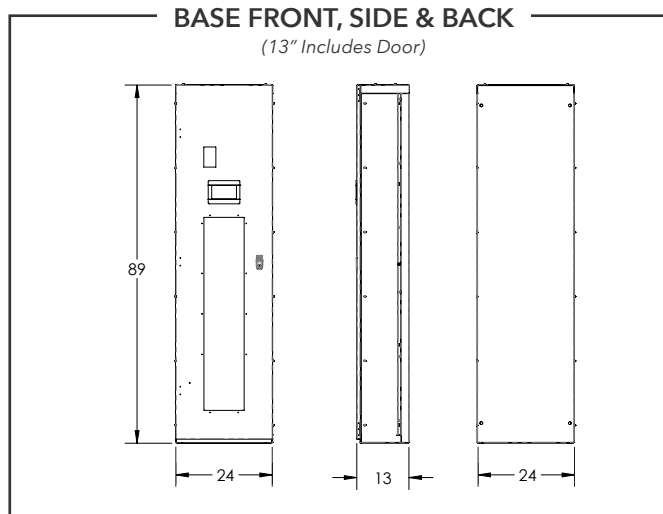
Custom
Flexibility



Easy
Installation



Cost
Effective



CORE REMOTE POWER PANEL – PRODUCT SPECIFICATIONS

	BASE	DUAL BASE	BOOST MODULE
Dimensions	24" Width	24" Width	12" Width
	12" Depth	24" Depth	12" Depth
	89" Height	89" Height	89" Height
Input/Output	600V/347V, 480V/227V, 415V/240V, 400V/230V, 208V/120V 3 Phase, 4 Wire + Ground		
Current Rating	255A / 250A / 400A / 600A		800A
Panel Boards, Poles	1, 42-84	2, up to 168	2, up to 168
Powder Coating	Black, White, Grey Standard. Ask about other options.		
Standard	NEMA, UL891/508A		

CUSTOMIZABLE OPTIONS

- Customizable from 225A-800A Main Breakers
- Input Monitoring
- Seismic Rated Floor Stand

Note: Cabinet doors add approximately 1" each.